

THE ULTIMATE XTRA!

OUR POWERTOP® XTRA FAMILY FROM 16 TO 125 A.



Our PowerTOP® Xtra Family: Plugs and sockets for all applications

In industrial applications, in mining, in railway and transport companies, in ports, harbors, and shipyards, on campgrounds: in all of these situations and many more, it's imperative to safely and reliably distribute electric power in challenging or harsh conditions. As specialists for plugs and sockets, we've packed our formidable CEE know-how into a top-notch product family for you. The PowerTOP® Xtra plugs and connectors are available in 16, 32, 63, and 125 A versions.

Many of them have been proving themselves in practice in a wide variety of work environments worldwide for years. All PowerTOP® Xtra connectors feature our ingenious X-CONTACT contact sleeve technology.

PowerTOP® Xtra: plugs and connectors for professional electricians!



Experience the CEEvolution!

The four main benefits of PowerTOP® Xtra:



Ergonomically optimized design
(pages 4 - 6)



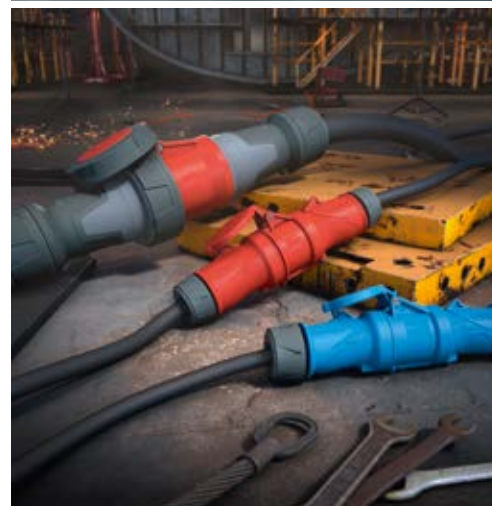
Simplified assembly
(page 7)



Easier and safer connection
(pages 8 - 9)



Effortless connecting and disconnecting
with X-CONTACT
(page 10)



Ergonomically optimized design – secure handling and a long life



A special design and robust materials make sure that you can safely and easily use our PowerTOP® Xtra plugs and connectors under even the most demanding conditions and that they will have an extra-long life. Thanks to an ergonomically optimized design, nubbed grip zones, and nubbed rubberised cable gland, our CEE plugs and connectors rest securely in the hand without slipping, also in wet and moist conditions, and can be connected and disconnected several thousand times. In the 63 and 125 A versions, the cable gland fits flush to the housing, making it especially easy for you to keep the surfaces of the plug and connector clean.





Our plugs and connectors feature an integrated opening aid on the connector that makes it easy for you to open the hinged lid and hold it in that position. There's also a rotating lock between the front and the strain relief that can be quickly and securely closed without requiring you to tighten any screws. In the plugs and connectors of the 63 and 125 A versions (with IP67 protection class), the seals on the connector hinged lid and front of the plug are molded on and therefore impossible to lose.

Ergonomically optimized design – strong Xtras for extra protection



The products of our PowerTOP® Xtra family reliably support professional electricians across industries. Ideal for harsh,

challenging working conditions, these plugs and connectors are extra-strong and deliver maximum protection:

Protection from dust and water

The 16 and 32 A versions of our PowerTOP® Xtra plugs and connectors have IP54 protection class and the 63 and 125 A versions are available with IP44 or IP67.



Protection from aggressive substances and high relative humidity

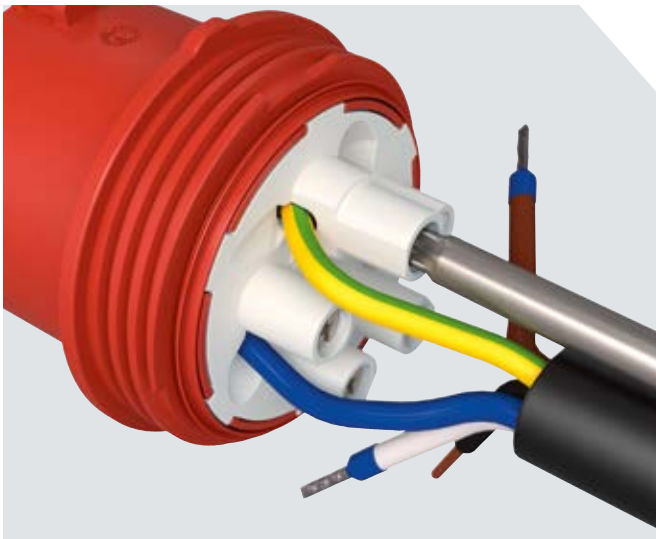
Our connectors for 63 and 125 A come with highly heat resistant contact carriers and are optionally available with nickel plated contacts. The contact pins of the plugs are also nickel plated. The five-pole plugs and connectors with 16 or 32 A are also available as PowerTOP® Xtra R versions with the same robust features.

Simplified assembly – using a minimum of tools



We've perfected the installation procedure for the products of our PowerTOP® Xtra family: thanks to a self-finding thread for the enclosure, a locking slider, and a cable gland, you can

quickly and easily install our plugs and connectors in the range from 16 to 125 A using a minimum of tools.



Fast connection

Unscrew the enclosure, run the cable through the cable gland and into the enclosure and strip it. Remove the insulation from the core and attach ferrules (only for the ErgoCONTACT).

Twist to quickly secure

The enclosure and the front part are screwed together and then sealed and secured with the locking slider. By tightening the rubberised cable gland the connection cable is secured and sealed at the same time.

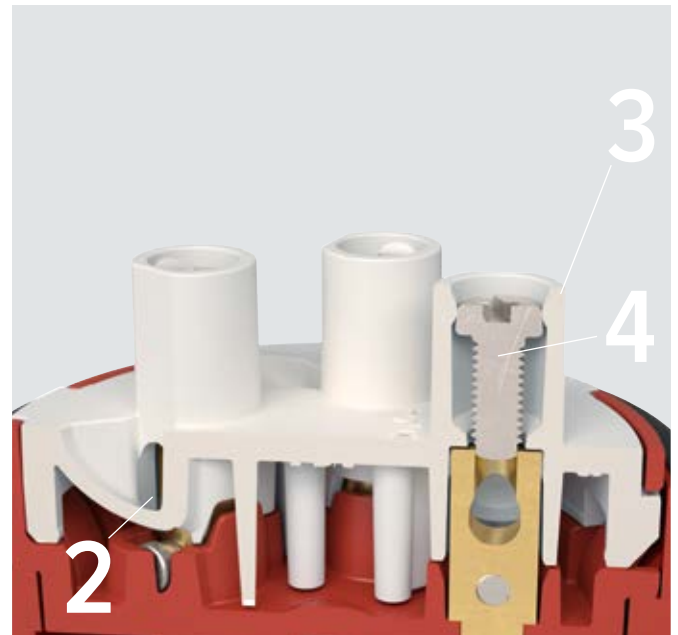
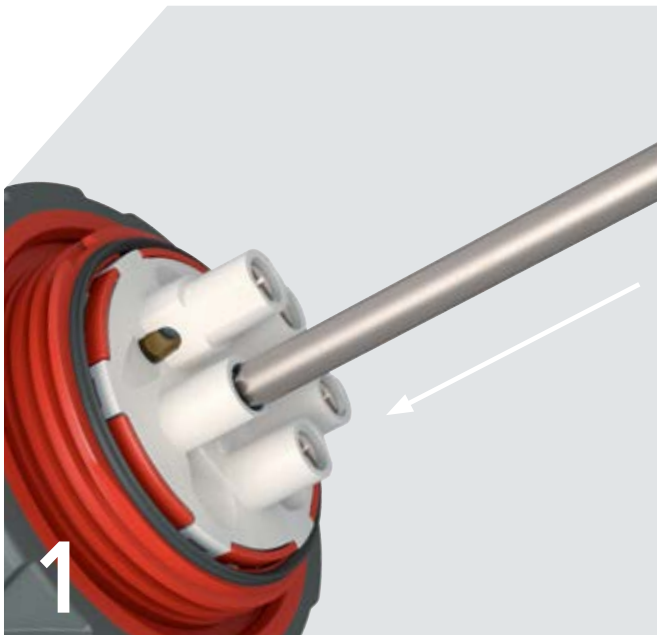


Easier and safer connection with ErgoCONTACT



All products of the PowerTOP® Xtra family are available with screw terminals. We've developed them further to create our easy-to-use ErgoCONTACT connection technology for

16 and 32 A plugs and connectors. They enable easy, secure and time-saving installation.



1

Ergonomically effective installation

With ErgoCONTACT, you insert the screwdriver from the top instead of from the side. This makes it easier to achieve the required torque and the pressure is applied directly from the grip. All of the screws point in the same direction. This saves time, because it's no longer necessary to rotate the front part in your hand in order to tighten the contact screws of the individual poles one after the other.

2

Conductor insertion

Curved conductor guidance channels easily and securely move the conductor ends into the contacts.

3

Guide collar

The screw trajectory is additionally supported by a guide collar which prevents slide-off and minimises the danger of injury.

4

Captive combination head screw

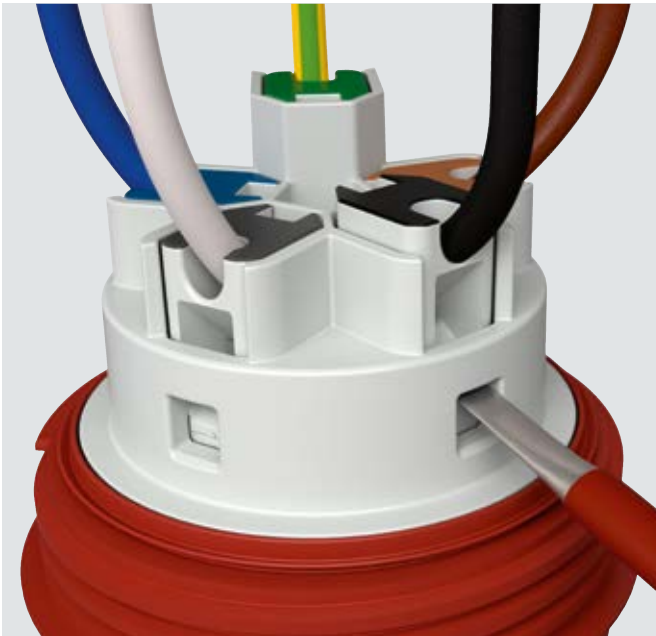
Each contact has only one screw: a captive combination head screw that is permanently integrated in the guide collar in the factory and can be turned using either a Phillips or a flathead screwdriver. Since only one screw has to be set for each contact, installation is easy and time-saving.

Easier and safer connection with SafeCONTACT



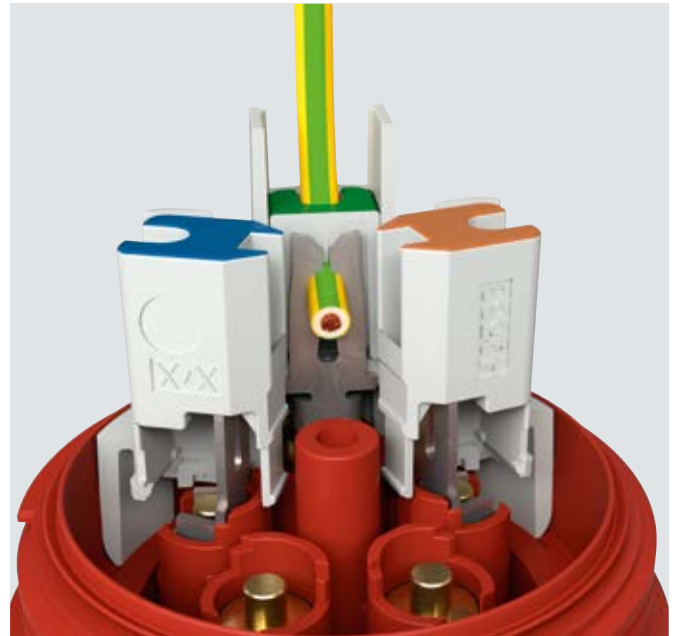
Our 16 and 32 A plugs and connectors are also available in PowerTOP® Xtra S versions with our proprietary SafeCONTACT screwless connection technology. It

eliminates the need to peel the insulation off the wires or otherwise prepare them, letting you make connections more than twice as fast and eliminating subsequent maintenance!



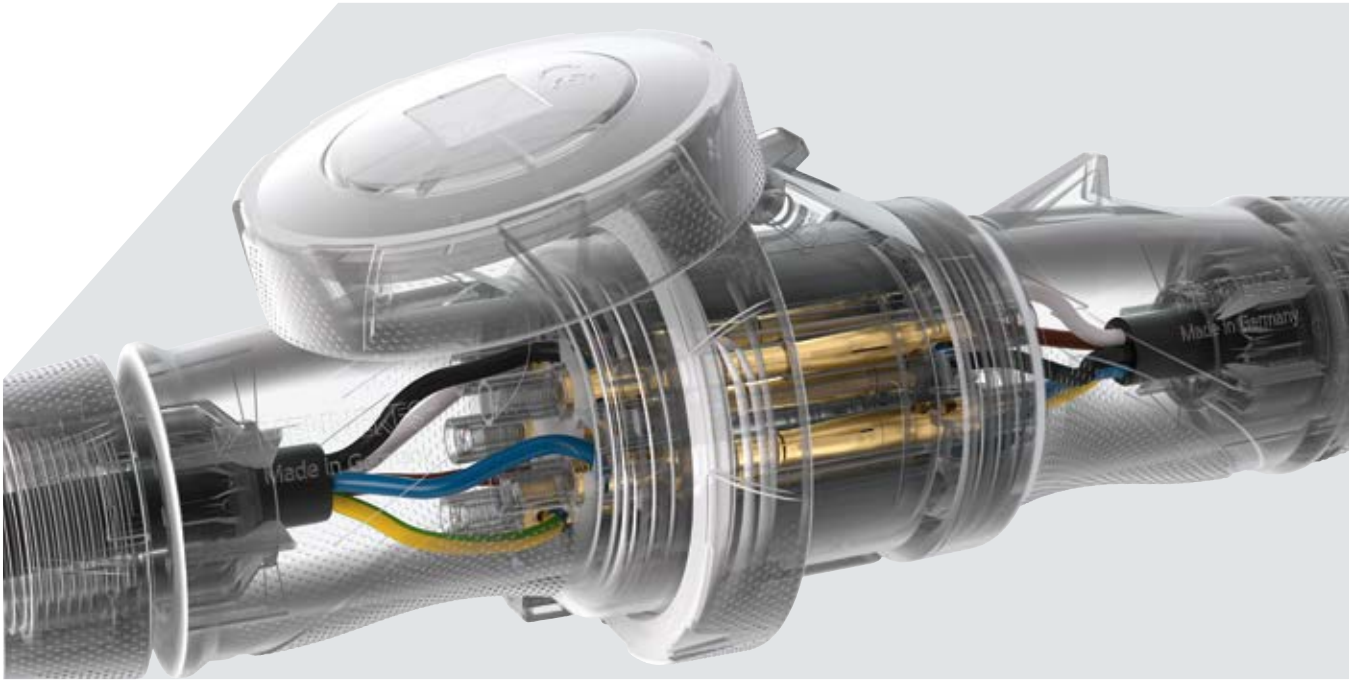
Safer contact

Plug in conductors without stripping, lever down the terminals with a screwdriver – that's it.



Interior view of SafeCONTACT

In one work process the insulation is separated and a secure contact connection established.



Effortless connecting and disconnecting with X-CONTACT



Innovative and simple

All PowerTOP® Xtra connectors feature our X-CONTACT contact sleeve technology. The sleeves, which are made of a resilient elastic material, are slotted in an X pattern. When a plug is inserted, its pin expands the opening in the contact sleeve. This makes it extremely easy to connect and disconnect the CEE plug and connector, requiring up to 50% less force! This lets you connect and disconnect CEE plugs and connectors at high currents of 63 and 125 A without assistance.

Safe and durable

In the PowerTOP® Xtra connectors for 63 and 125 A, the insides of the X-CONTACT sleeves are grooved. The combination of interior grooves, elastic material, and slotted sleeves makes sure that the plug and connector are securely joined. Plus, the textured surfaces of the contact sleeves automatically rub off dirt and surface degradation by-products when connected and disconnected. The materials therefore show no signs of wear or fatigue, even after frequent connecting and disconnecting. You can therefore continue using our PowerTOP® Xtra plugs and connectors safely and reliably for many years.

X-CONTACT
INSIDE





MENNEKES

Elektrotechnik GmbH & Co. KG

Aloys-Mennekes-Strasse 1
57399 KIRCHHUNDEM
GERMANY

Phone: +49 2723 41-1

Fax: +49 2723 41-214

www.MENNEKES.com

1042200DS 2TA 03.22 K Subject to change without notice. No liability accepted for printing errors.

