

POWER YOUR DATA CENTER



SOLUTIONS FOR DATA CENTERS

MENNEKES

MY POWER CONNECTION



 You can find more information on our website



Power your Data Center

Reliable power for data centers.

At work, in commerce, at home and practically everywhere else, the world is steadily digitalizing. Cloud computing and Big Data, E-commerce, IT applications used in business, by government agencies, and in research, finance and the health sector, streaming platforms and video meetings all place heavy demands on data centers. The servers they contain are online 24 hours a day, they need to process massive data volumes, they often run for years without a break.

All this activity calls for dependable solutions for plugs and sockets to ensure an uninterrupted power supply. Disruptions could be catastrophic, provoking the collapse of IT infrastructure and the myriad of other connected systems that depend on it.

Plugs and sockets also have to be extremely heat resistant and long-lived to reliably perform under constant loads and stresses over long periods of time. They also have to be easy to install and use and quickly available to replace failed units in an emergency.

Our high-quality plugs, connectors, wall mounted and panel mounted receptacles meet all of these prerequisites with flying colors. They are manufactured, tested, and certified in compliance with the applicable European and/or U.S. standards (VDE/IEC, UL, dual-listed).

MENNEKES is the supplier you can depend on for solutions for plugs and sockets „made in Germany“ – with a strong international sales network spanning over 90 countries, local representatives near you, and globally supplied replacement parts. Get acquainted with our solutions!





Contents



Plugs and connectors



Wall mounted and panel mounted receptacles



Product Portfolio



Applications



We are MENNEKES



Plugs and connectors

PowerTOP Xtra and AM-TOP – the versatile all-rounders.



For data centers, we offer you plugs and connectors of our versatile PowerTOP Xtra family and our proven AM-TOP plugs and connectors. The PowerTOP Xtra plugs and connectors in 63 A come with highly heat resistant contact carriers and are optionally available with nickel plated contacts. The 5 pole plugs and connectors for 16 and 32 A are also available in a PowerTOP Xtra R version with the same robust features.

Our AM-TOP plugs and connectors have a single part body, while that of the PowerTOP Xtra additionally includes a robust thread lock. All of the enclosures and the cable gland of the AM-TOP are made of high-quality plastic, while the PowerTOP Xtra also has a high-quality rubberized surface for easier gripping. The AM-TOP plugs and connectors feature IP67 protection, and those of the PowerTOP Xtra series feature IP54 (for 16 and 32 A) or IP67 (for 63 A). This way you can count on extremely robust, heat resistant solutions that stand up excellently to the constant stresses that are typical of data centers and continue operating reliably for years to come.



Plugs and connectors

PowerTOP Xtra and AM-TOP – the versatile all-rounders.

1

PowerTOP Xtra plugs/connectors

- screw terminals
- nubbed and rubberised grip zones without slipping
- frame terminals
- cable gland and sealing
- strain relief and protection against kinking
- enclosure with thread lock
- safety slides for enclosure and cable gland
- screwless, with insulation displacement technology for 16 and 32 A on request



2

AM-TOP plugs/connectors

- screw terminals
- single part body
- cable gland and sealing
- strain relief and protection against kinking
- bayonet ring for additional protection (for IP67)



Here you can find the advantages of our PowerTOP Xtra family



You can find more information on our website

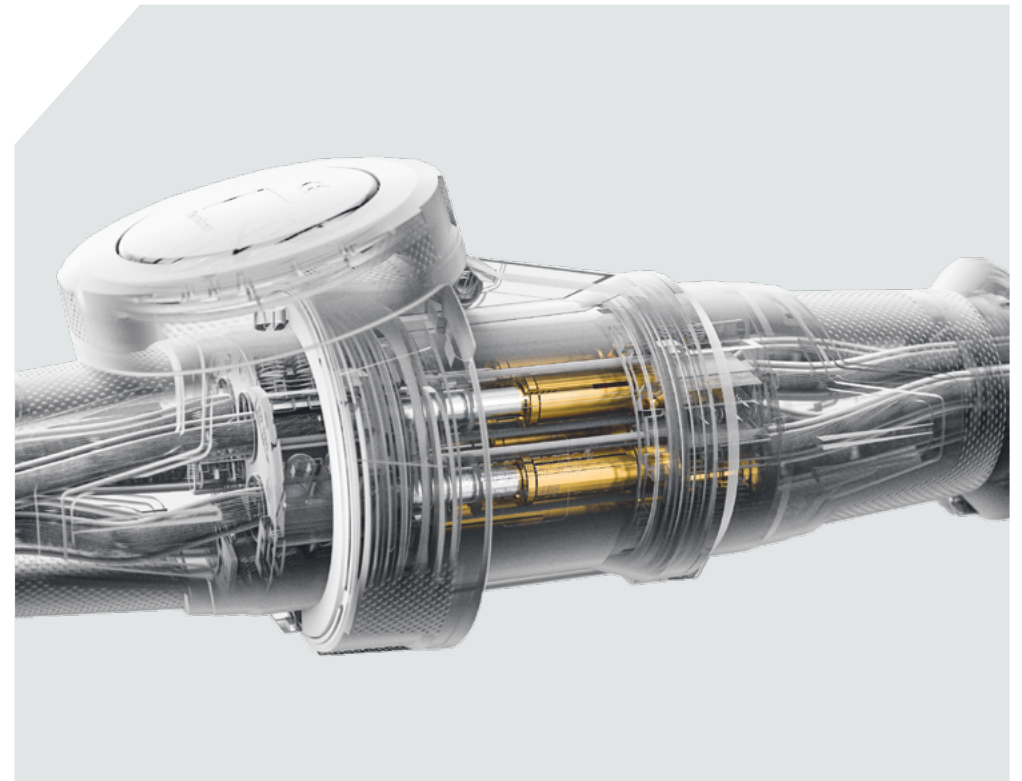


Plugs and connectors

PowerTOP Xtra and AM-TOP – the versatile all-rounders.

All PowerTOP Xtra connectors feature our X-CONTACT contact sleeve technology. The sleeves are slotted in an X pattern and are made of a resilient elastic material. In the PowerTOP Xtra connectors for 63 A, the insides of the X-CONTACT sleeves are grooved. The combination of interior grooves, elastic material, and slotted sleeves makes sure that the plug and connector are securely joined.

In the PowerTOP Xtra, a thread lock and a locking slider on the enclosure additionally ensure that the plug and connector securely lock. The AM-TOP plugs and connectors have a cable gland with sealing and bayonet ring (with IP67). The ring prevents the plug from being unintentionally pulled out – thus guaranteeing extra-secure locking and a dependable, problem-free power supply. Both solutions also include a protection against kinking. These outstanding details help to ensure a reliable, fault-free power supply to servers 24/7.

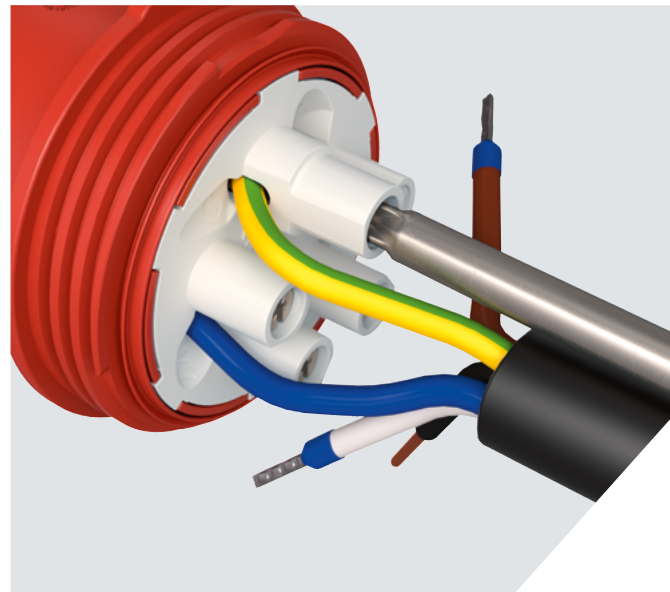
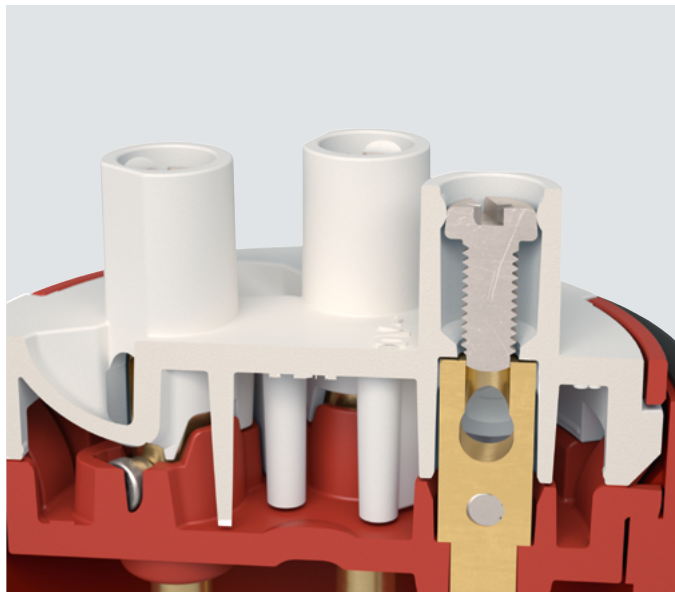




Plugs and connectors

PowerTOP Xtra and AM-TOP – the versatile all-rounders.

The X-CONTACT technology makes it extremely easy to connect and disconnect the plug and connector – requiring up to 50% less force. Two ingenious connection technologies enable an easy and time saving installation of our plugs and sockets. The AM-TOP and PowerTOP Xtra plugs and connectors with 63 A come with screw terminals, while the PowerTOP Xtra solutions in 16 and 32 A feature the specially further developed the screw connection technology ErgoCONTACT.





Wall mounted and panel mounted receptacles

The contact heroes.



In addition to our plugs and connectors, we offer you various wall mounted and panel mounted receptacles in 16, 32, and 63 A that are ideal for the demanding conditions inside data centers. The enclosures are made from high-quality plastics, and the hinged lid of the 63 A receptacles are nubbed and rubberized to make them especially easy to grip.

These receptacles feature IP44 or 67 protection types. These robust, heat resistant, long-lived solutions will ensure a reliable power supply in server rooms for many years.

The wall mounted and panel mounted receptacles with 63 A, like our PowerTOP Xtra connectors, are equipped with the ingenious X-CONTACT contact sleeve technology. They make sure that plugs inserted into receptacles remain securely connected – so current will consistently and reliably flow without any issues. Our solutions, which meet the requirements of IP67 protection type, are additionally equipped with a bayonet ring. It prevents the plug from being accidentally yanked out of the receptacle, to help ensure secure locking and an uninterrupted power supply.



Wall mounted and panel mounted receptacles

The contact heroes.

1

Wall mounted receptacles

- screw terminals
- X-CONTACT (for 63 A)
- internal fixing
- enclosure base can be turned 180°
- with 6 fixing points to accommodate special terminals
- products with pilot contact on request
- products with screwless spring terminals for 16 and 32 A on request



IP44

IP67

2

Panel mounted receptacles

- screw terminals
- X-CONTACT (for 63 A)
- inclination 20°
- products with pilot contact on request
- products with screwless spring terminals for 16 and 32 A on request



IP44

IP67



Product Portfolio

A solution for every situation.

We've placed complete, concise information about our product solutions on our data center website. Here you can also find our entire portfolio of products for data centers.

To go to the data center website, simply scan this QR code:





Applications

Worldwide use of our solutions.



MENNEKES product solutions can be found in data centers of all kinds. You'll mainly encounter them being used to supply power to server cabinets:

1

Power supply straight from the electrical infrastructure

The server cabinets of a data center need to be consistently supplied with failsafe power to ensure that data remains readily available at all times. Since, as the motto goes, „two is better than one“, every server cabinet has two receptacle strips (also called „rack power distribution units“ or PDUs for short) for supplying the installed equipment with power. This provides double protection of hardware and data. This is where our solutions come into play: we supply you with appropriate wall mounted receptacles and the corresponding plugs – gladly double for each server cabinet. This way everything is protected twice, and you can disconnect one of the receptacle strips from the power source to replace it without worrying about interrupting operation – simply by „plug & play“.



An excerpt from our product portfolio



Applications

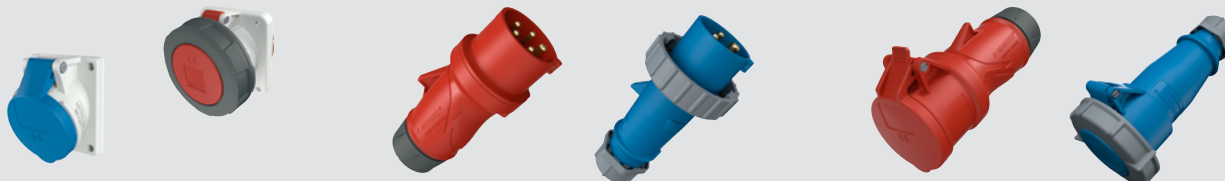
Worldwide use of our solutions.

MENNEKES product solutions can be found in data centers of all kinds. You'll mainly encounter them being used to supply power to server cabinets:

2

Power supply via busbar systems

In practice, the receptacle strips for the server cabinets are often also supplied with power via busbar systems. Instead of flowing through a wall mounted receptacle, the current passes through a busbar distributor with clamped-on adapters or switchgear. We supply precisely fitting solutions to makers of these systems: panel mounted receptacles, connectors and plugs. These solutions ensure consistently flexible and failsafe operation of busbar systems and power distribution units.



An excerpt from our product portfolio



Contact persons at MENNEKES.



Do you have questions about our solutions and products?
You can find our contact persons on our website:





MY POWER CONNECTION

We are MENNEKES.

The MENNEKES Group is the world's leading provider of industrial plugs and sockets and e-mobility charging solutions. Our „type 2“ charging plug has been the official standard connector for electric vehicles throughout the European Union since 2014. Since our family-owned company was founded in Germany's Sauerland region back in 1935, it has spread around the world and is currently represented in 90 countries by subsidiaries with a total workforce of around 1,400 employees.



We produce plugs and sockets, receptacles and receptacle combinations in a vast range of types and models.

Our robust, long-lived solutions are deployed wherever electric power needs to flow reliably and consistently: in industrial applications, railway and transport companies, mining and shipbuilding industry, in container ports and at airports, on trade exhibitions, in stadiums and data centers. In the field of e-mobility, MENNEKES supplies appropriate solutions and equipment for future mobility. Our range includes charging plugs and cables, intelligent charging columns and wallboxes, billing services and a network of trained installers – for private, industrial, commercial and public applications. For the automotive industry and its suppliers, we also make charging inlets and cables for electric cars.