

## Double Box with TwinCONTACT

Part no. 1648

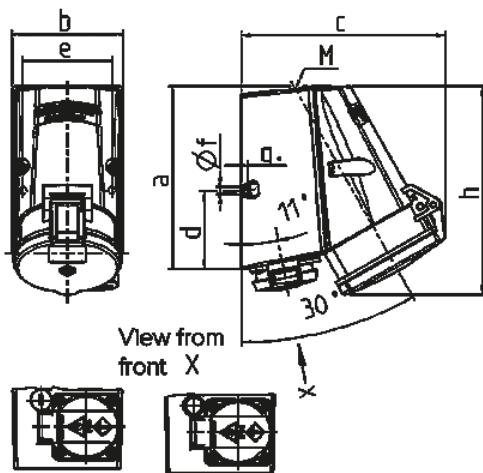


- screwless spring terminals
- CEE and socket SCHUKO® in one enclosure

### Technical specifications

CEE 16 A, 4 p, 400 V	1
SCHUKO® 16 A, 230 V	1
Protection type	IP 44
Enclosure material	Plastic
Weight	380 g
Declaration of Conformity	NL,Kema

### Drawing



Drawing 1 MB 354	Amp. Poles	16		32	
		4	5	5	
Dim. in mm	a	141	141	141	
	b	84	84	85	
	c	136	140	158	
	d	61	61	61	
	e	68	68	68	
	f	5.5	5.5	5.5	
	g	5	5	5	
	h	142	145	161	
	M	25	25	25	
	Max. cable diam. (mm)		18	18	18
	Terminal for cond. cross section (mm <sup>2</sup> ) min.-max.		1.5	1.5	2.5
		—4	—4	—10	