

## Double Box with TwinCONTACT

Part no. 1650

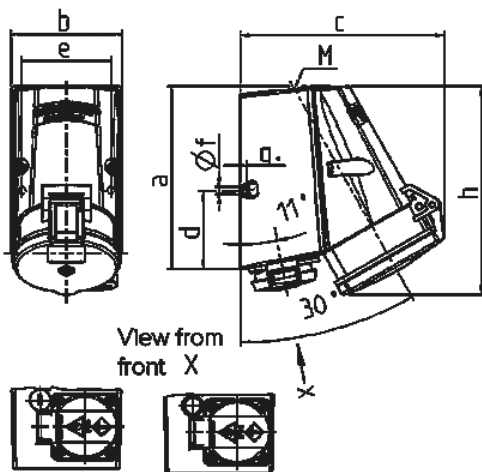


- screwless spring terminals
- CEE and socket SCHUKO® in one enclosure
- with fuse holder, max. 10 A

### Technical specifications

CEE 16 A, 5 p, 400 V	1
SCHUKO® 16 A, 230 V	1
Fusing	• with fuse holder, max. 10 A H
Protection type	IP 44
Shutter	false
Enclosure material	Plastic
Weight	400 g
Declaration of Conformity	NL,Kema

### Drawing



Drawing	Amp.	16		32
		Poles		5
<b>1 MB 354</b>				
<b>Dim. in mm</b>				
<b>a</b>		141	141	141
<b>b</b>		84	84	85
<b>c</b>		136	140	158
<b>d</b>		61	61	61
<b>e</b>		68	68	68
<b>f</b>		5.5	5.5	5.5
<b>g</b>		5	5	5
<b>h</b>		142	145	161
<b>M</b>		25	25	25
<b>Max. cable diam. (mm)</b>		18	18	18
<b>Terminal for cond. cross section (mm<sup>2</sup>) min.-max.</b>		1.5	1.5	2.5
		—4	—4	—10