

Plug PowerTOP Xtra TM
Part no. 24970

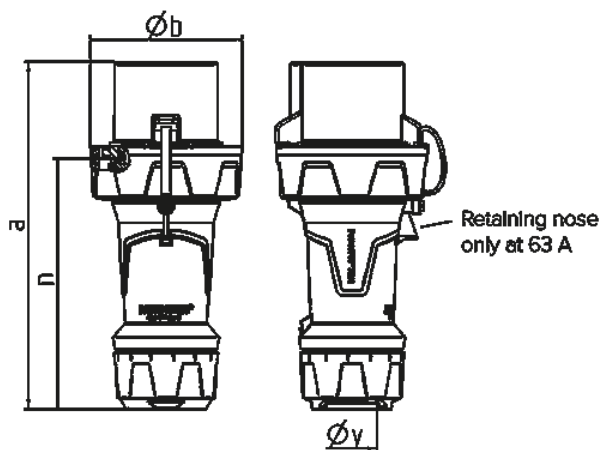


- screw terminals
- frame terminals
- highly heat resistant contact carrier
- nickel plated contacts
- cable gland and external cable grip with protective cap
- (form CP)

Technical specifications

Ampere	125 A
Poles	5 p
Voltage	400 V
Clock position	6 h
Hertz	50-60 Hz
Connection technology	Screw terminals
Contact	highly heat resistant contact carrier, nickel plated contacts
Protection type	IP 67
Weight	1640 g
Declaration of Conformity	VDE, EAC, CQC

Drawing



Drawing 2 MB 241	Amp. Poles	63	125
		5	5
Dim. in mm	a	260	300
	b	114	130
	n	188	219
	y	36	49
Terminal for cond. cross section (mm ²) min.-max.		6	25
		—16	—50