

Flange

Part no. 41341

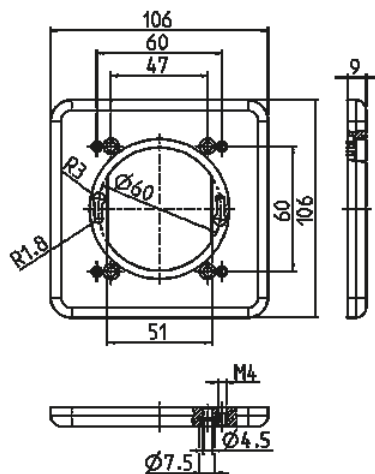


- for panel mounted sockets of product groups 1733 and 1735. Using the flange, the sockets can be fitted on flush mounted installation boxes
- flange: 106 x 106 mm / fixing hole spacing: 60 x 60 mm

Technical specifications

Weight	57 g
Declaration of Conformity	EAC

Drawing



Drawing
1 MB 323

Dim. in mm