

Panel mounted socket

Part no. 75046

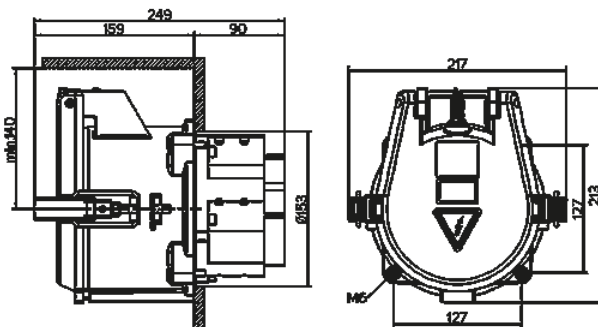


- screw terminals
- seawater resistant products are available on request

Technical specifications

| | |
|---------------------------|-----------------|
| Ampere | 400 A |
| Poles | 4 p |
| Voltage | 400 V |
| Clock position | 6 h |
| Hertz | 50-60 Hz |
| Connection technology | Screw terminals |
| Contact | standard |
| Protection type | IP 67 |
| Weight | 7000 g |
| Declaration of Conformity | EAC |

Drawing



**Drawing
1 MB 388**

Dim. in mm