

CombiTOWER®

Part no. 15681

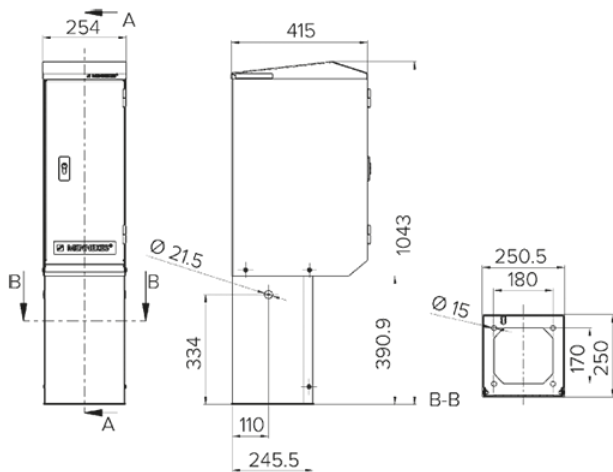


- with lockable door
- made from stainless steel (material 1.4301)
- material 1.4571 on request
- with removable cover
- dimensions (H x W x D): 1043 x 254 x 415 mm
- for AMAXX® enclosures with 2, 3 or 4 segments
- painted signal yellow (RAL 1003)

Technical specifications

Weight	26110 g
Declaration of Conformity	EAC

Drawing



Drawing
1 MB 518

Dim. in mm