

CombiTOWER®

Part no. 15740

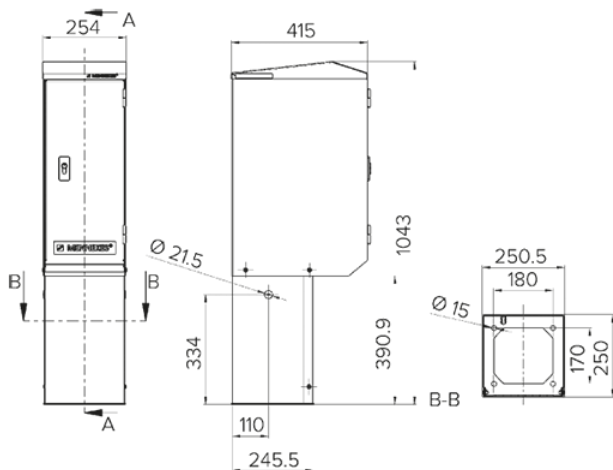


- with lockable door
- stainless steel with removable cover and front plate, dimensions (H x W x D): 1043 x 254 x 415 mm
- for AMAXX® enclosures with 5 segments
- bright finish

Technical specifications

Weight	26000 g
Declaration of Conformity	EAC

Drawing



Drawing
1 MB 518

Dim. in mm