

Wall mounted receptacle DUO

Part Number.: 5603406H



MENNEKES

Elektrotechnik GmbH & Co. KG
Aloys-Mennekes-Straße 1
57399 KIRCHHUNDEM GERMANY
www.MENNEKES.org

Product Description

- Screw terminals
- Pre-wired for installation
- X-CONTACT®
- Switched
- Mechanical DUO interlock
- 3 pole switch with auxiliary contact switch 1NC and 1NO
- Sockets can be padlocked

Technical Details

| Wall mounted receptacle - DUO | 5603406H |
|-------------------------------|-------------------------|
| Product series | DUO |
| Switch Disconnecter | Yes |
| Ampere | 32 A |
| Number of Poles | 4 P |
| Clock position | 6 h |
| Voltage | 400 V |
| Hertz | 50-60 Hz |
| Current Type | AC |
| Switch Type | 3P + N + PE + 1NC + 1NO |
| Protection Type | IP44 |
| Impact resistance | IK08 |
| Contact carrier | X-CONTACT® |
| Pilot contact | Without pilot contact |
| Connection | Screw-terminals |
| LED voltage indicator | No |

| | |
|-----------------------------|--|
| Padlocked | Yes |
| Mounting method | Wall mounted |
| Cable entry | Top & Bottom 2 x M25 top or bottom closed 1 x M25 and 1 x M32 top or bottom closed |
| Weight (net) | 1257 g |
| EAN / identification number | 4015394298649 |

Permissible ambient conditions

| | |
|---|--------------|
| Permanent ambient temperature min. - max. | -25 - +40 °C |
|---|--------------|

Material properties

| | |
|-----------------------------|---------------------------------------|
| Hinged lid | PC similar RAL 3013 red |
| Upper enclosure part | PC/ASA similar RAL 7035 grey |
| Enclosure base | PC/ASA similar RAL 9005 deep black |
| Rotary Switch | PC/ASA similar RAL 7035 grey |
| Material of exterior screws | PA6 similar RAL 9005 deep black |

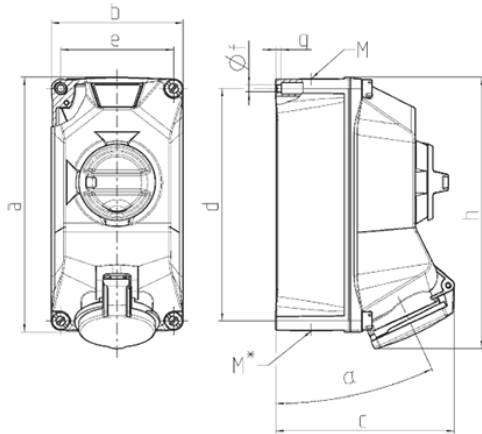
Material resistance

The material resistance overview can be found on the website in the "Knowledge" section → "Product knowledge" → "Materials"

Regulations and Standards

| | |
|---------------------------------------|---|
| REACH (Regulation (EG) No. 1907/2006) | Information according to article 33 REACH: SVHC: Lead (CAS: 7439-92-1) |
| RoHS 2011/65/EU incl. 2015/863/EU | ✓ |
| POP Regulation (EU) 2019/1021 | ✓ |
| Norm(s) | IEC 60309-4 |
| Declaration of conformity | CE, UKCA |
| Test mark | EAC |

Dimensional drawing



| Drawing 1 MB 713 Dim. in mm | Amp. Poles | 16 | | | 32 | | |
|---|---------------|---------------|------|------|---------------|------|------|
| | | 3 | 4 | 5 | 3 | 4 | 5 |
| a | | 225 | 225 | 225 | 225 | 225 | 225 |
| b | | 118 | 118 | 118 | 118 | 118 | 118 |
| c | | 160 | 160 | 160 | 162 | 162 | 162 |
| d | | 208 | 208 | 208 | 208 | 208 | 208 |
| e | | 101 | 101 | 101 | 101 | 101 | 101 |
| f | | 6.4 | 6.4 | 6.4 | 6.4 | 6.4 | 6.4 |
| g | | 5 | 5 | 5 | 5 | 5 | 5 |
| h | | 238 | 244 | 243 | 249 | 249 | 250 |
| α | | | 25 | | | 25 | |
| M | | 1x25 and 1x32 | | | 1x25 and 1x32 | | |
| M* | | 2x25 | 2x25 | 2x25 | 2x25 | 2x25 | 2x25 |
| Max. cable diam. (mm) | | 25 | 25 | 25 | 25 | 25 | 25 |
| Terminal for cond. cross section (mm ²) min.-max. | | 2.5 | 2.5 | 2.5 | 2.5 | 2.5 | 2.5 |
| | | -10 | -10 | -10 | -10 | -10 | -10 |