

# Phase inverter AM-TOP

Part number: 24674



**MENNEKES**  
Elektrotechnik GmbH & Co. KG

Aloys-Mennekes-Straße 1  
57399 Kirchhundem  
GERMANY

[www.MENNEKES.org](http://www.MENNEKES.org)

## Product Description

- screw connection technology
- single part body
- highly heat resistant contact carrier, nickel plated contacts
- protection against kinking
- strain relief
- cable gland and sealing
- with protective cap
- (form DS)

## Technical Details

Phase inverter AM-TOP	24674
Product serie	AM-TOP
Ampere	16A
Number of poles	5p
Clock position	6h
Nominal voltage AC	400V
Nominal frequency	50 - 60 Hz
Protection type IP	IP67
Contact carrier	highly heat resistant contact carrier, nickel plated contacts
Connection	screw terminals
Contact screw drive	PZ2, slot
Tightening torque connection terminal for cable cross-section 1,0 - 1,5 mm <sup>2</sup>	0.6 Nm
Tightening torque connection terminal for cable cross-section 2,5 - 4,0 mm <sup>2</sup>	0.8 Nm
Recommended wire end treatment for supply cable connection terminal	ferrule square gasproof crimped
Strip length jacket	40 mm
Strip length conductor	8 - 10 mm
Phase inverter	with phase inverter
Pilot contact	without pilot contact
Conductor cross-section min.	1 mm <sup>2</sup>
Conductor cross-section max.	2.5 mm <sup>2</sup>
Cable kink protection	integrated in cable gland
Protective grommet	without protective grommet

Phase inverter AM-TOP	24674
Protective cap	with protective cap
Militärausführung	ja
Weight (net)	420 g
Packaging unit	10 pcs
Quantity per pallet	660 pcs
EAN / identification number	4015394211143

Permissible ambient conditions

	Min.	Max.
Permanent ambient temperature	-25 °C	40 °C

Material properties

Housing	PA6 bronze green [similar RAL 6031]
Protective cap	PC bronze green [similar RAL 6031]
Bayonet ring	PC bronze green [similar RAL 6031]
Clamp basket	PA6 natural colour [no RAL colour code]
	TPE squirrel grey [similar RAL 7000]
Fastening	PA6 bronze green [similar RAL 6031]

Material resistance

The material resistance overview can be found on the website in the section “Knowledge” - “Product knowledge” - “Materials”.

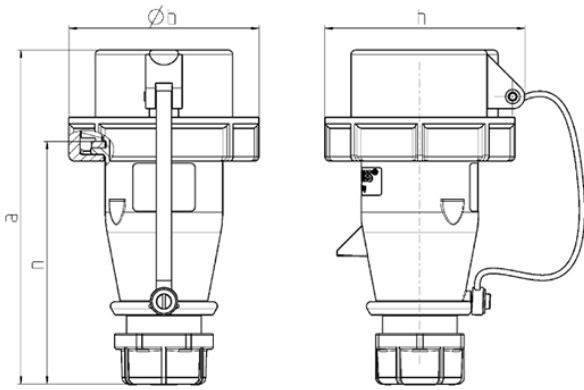
Material and enviromental properties

RoHS 2011/65/EU incl. 2015/863/EU	✓
POP regulation (EU) 2019/1021	✓

Regulations and Standards

Norm	DIN EN IEC 60309-2
Declaration of Conformity	CE
Test label	VDE, EAC

# Dimensional Drawing



Drawing 2 MB 240	Amp. Poles	16		32	
		3	5	4	5
Dim. in mm	a	148	153	191	185
	b	70	87	94	101
	h	75	92	97	105
	n	108	112	141	133
	y	14.5	16	22	22
Terminal for cond. cross section (mm <sup>2</sup> ) min.-max.		1 -2.5	1 -2.5	2.5 -6	2.5 -6