

Wall mounted receptacle

Part number: 21468



MENNEKES
Elektrotechnik GmbH & Co. KG

Aloys-Mennekes-Straße 1
57399 Kirchhundem
GERMANY

www.MENNEKES.org

Product Description

- nickel plated contacts, highly heat resistant contact carrier
- X-CONTACT
- internal fixing
- 20° inclination
- rubberised bayonet ring

Technical Details

| Wall mounted receptacle | 21468 |
|---------------------------------------|---|
| Ampere | 125A |
| Number of poles | 5p |
| Clock position | 6h |
| Nominal voltage AC | 400V |
| Nominal frequency | 50 - 60 Hz |
| Protection type IP | IP67 |
| Contact carrier | nickel plated contacts, highly heat resistant contact carrier |
| X-CONTACT | yes |
| Connection | socket terminals |
| Contact screw drive | slot |
| Screw drive external screws | slot |
| Pilot contact | without pilot contact |
| Pilot contact switch | no |
| Cable entry at the top | 1 x M50 |
| Cable entry at the bottom | 1 x M50 |
| Blind cable entry at the rear | no |
| Enclosure base can be turned 180° | no |
| Insertion direction | angled |
| Inclination | 20° |
| Type of mounting | internal fixing |
| Highly resistant to chemicals | no |
| Military version | no |
| Lockable | no |
| Tightening torque connection terminal | 4 Nm |

| | |
|------------------------------|--------------------|
| Wall mounted receptacle | 21468 |
| Conductor cross-section min. | 25 mm ² |
| Conductor cross-section max. | 35 mm ² |
| Weight (net) | 2131 g |
| Packaging unit | 3 pcs |
| Quantity per pallet | 75 pcs |
| EAN / identification number | 4015394040620 |

| Permissible ambient conditions | | |
|-----------------------------------|--------|-------|
| | Min. | Max. |
| Permissible ambient temperature | -25 °C | 40 °C |
| Average temperature over 24 hours | | 35 °C |

| Material properties | |
|---------------------|---|
| Base | PC light grey [similar RAL 7035] |
| Upper part | PC/PET light grey [similar RAL 7035] |
| Hinged lid | PBT/PC red [similar RAL 3013] |
| | TPE black [similar RAL 9005] |
| | PBT/PC squirrel grey [similar RAL 7000] |
| | TPE anthracite [similar RAL 7016] |
| External screws | PA6 light grey [similar RAL 7035] |

Material resistance

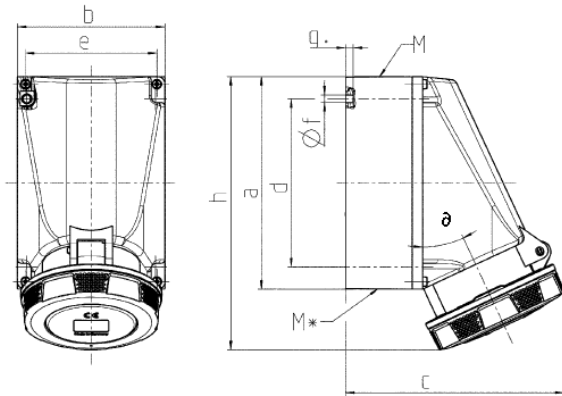
The material resistance overview can be found on the website in the section “Knowledge” - “Product knowledge” - “Materials”.

| Material and environmental properties | |
|---------------------------------------|----|
| RoHS 2011/65/EU incl. 2015/863/EU | ✓ |
| POP regulation (EU) 2019/1021 | ✓ |
| Halogen-free | no |

Regulations and Standards

| | |
|---------------------------|--------------------|
| Norm | DIN EN IEC 60309-2 |
| Declaration of Conformity | CE |
| Test label | EAC, CQC |

Dimensional Drawing



| Drawing 1 MB 112/162 | Amp. Poles | 63 | | | 125 | |
|-------------------------|---|----------------------------|-------|-------|-----|-----|
| | | 3 | 4 | 5 | 4 | 5 |
| Dim. in mm | a | 170 | 170 | 170 | 264 | 264 |
| | b | 118 | 118 | 118 | 163 | 163 |
| | c | 175 | 175 | 175 | 200 | 200 |
| | d | 134.5 | 134.5 | 134.5 | 240 | 240 |
| | e | 103 | 103 | 103 | 140 | 140 |
| | f | 6.1 | 6.1 | 6.1 | 8.1 | 8.1 |
| | g | 6 | 6 | 6 | 8 | 8 |
| | h | 219 | 219 | 219 | 306 | 306 |
| | M | 40 | 40 | 40 | 50 | 50 |
| | M* | 2x40 (blind) to be cut out | | | 50 | 50 |
| | α | 25 | 25 | 25 | 20 | 20 |
| | Max. cable diam. (mm) | 27 | 27 | 27 | 38 | 38 |
| | Terminal for cond. cross section (mm ²) min.-max. | 6 | 6 | 6 | 25 | 25 |
| | | -25 | -25 | -25 | -35 | -35 |