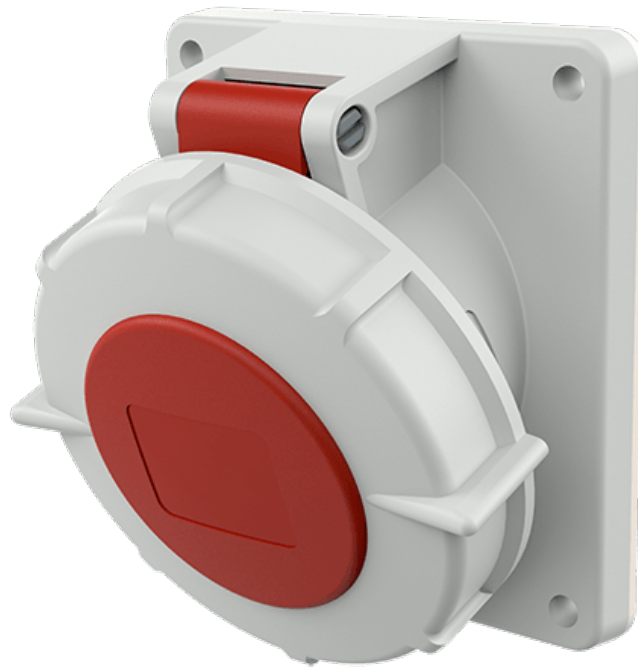


Panel mounted receptacle

Part number: 3333



MENNEKES
Elektrotechnik GmbH & Co. KG

Aloys-Mennekes-Straße 1
57399 Kirchhundem
GERMANY

www.MENNEKES.org

Product Description

- screw connection technology
- 15° inclination

Technical Details

Panel mounted receptacle	3333
Ampere	16A
Number of poles	5p
Clock position	6h
Nominal voltage AC	400V
Nominal frequency	50 - 60 Hz
Protection type IP	IP67
Contact carrier	standard
X-CONTACT	no
Connection	screw terminals
Contact screw drive	PZ2, slot
Pilot contact	without pilot contact
Pilot contact switch	no
Flange dimensions	110 x 106 mm
Hole spacings	90 x 90 mm
Insertion direction	angled
Inclination	15°
Highly resistant to chemicals	no
Military version	no
Tightening torque connection terminal for cable cross-section 1,0 - 1,5 mm ²	0.6 Nm
Tightening torque connection terminal for cable cross-section 2,5 - 4,0 mm ²	0.8 Nm
Tightening torque connection terminal for cable cross-section 6 - 10 mm ²	1.2 Nm
Strip length PH + N flexible conductor	8 - 10 mm
Strip length PE flexible conductor	8 - 10 mm
Strip length PH + N solid conductor	8 - 10 mm

Panel mounted receptacle	3333
Strip length PE solid conductor	8 - 10 mm
Conductor cross-section min.	1.5 mm ²
Conductor cross-section max.	4 mm ²
Weight (net)	420 g
Packaging unit	10 pcs
Quantity per pallet	880 pcs
EAN / identification number	4015394188063

Permissible ambient conditions		
	Min.	Max.
Permissible ambient temperature	-25 °C	40 °C
Average temperature over 24 hours		35 °C

Material properties	
Housing	PA6 light grey [similar RAL 7035]
Hinged lid	PA6 red [similar RAL 3013]
	TPE black [similar RAL 9005]
	PBT/PC squirrel grey [similar RAL 7000]

Material resistance

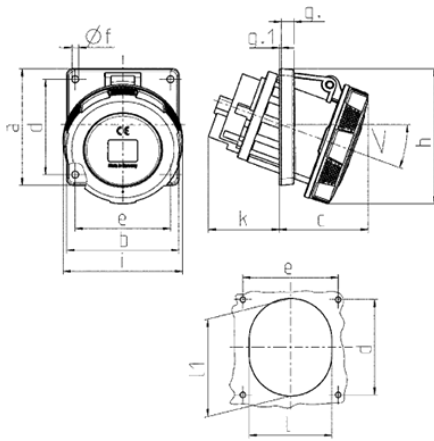
The material resistance overview can be found on the website in the section “Knowledge” - “Product knowledge” - “Materials”.

Material and environmental properties	
RoHS 2011/65/EU incl. 2015/863/EU	✓
POP regulation (EU) 2019/1021	✓
Halogen-free	yes

Regulations and Standards

Norm	DIN EN IEC 60309-2
Declaration of Conformity	CE
Test label	CB Zertifikat, VDE, EAC

Dimensional Drawing



Drawing	Amp.	16	32	63		125
1 MB 580/601	Poles	5	5	4	5	5
Dim. in mm	a	110	110	110	110	114
	b	106	106	106	106	110
	c	55	59	84	84	75
	d	90	90	90	90	90
	e	90	90	90	90	90
	f	5.2	5.2	6.5	6.5	6.2
	g	8	8	12	12	13
	g.1	2	2	2	2	2
	h	110	115	128	128	133
	i	89	106	113	113	126
	k	28	46	64	67	103
	l	78	87	92	92	94
	l1	-	-	98	98	107
	α	15°	15°	20°	15°	15°
Terminal for cond. cross section (mm ²) min.-max.		1.5 -4	2.5 -10	6 -20	6 -20	25 -70